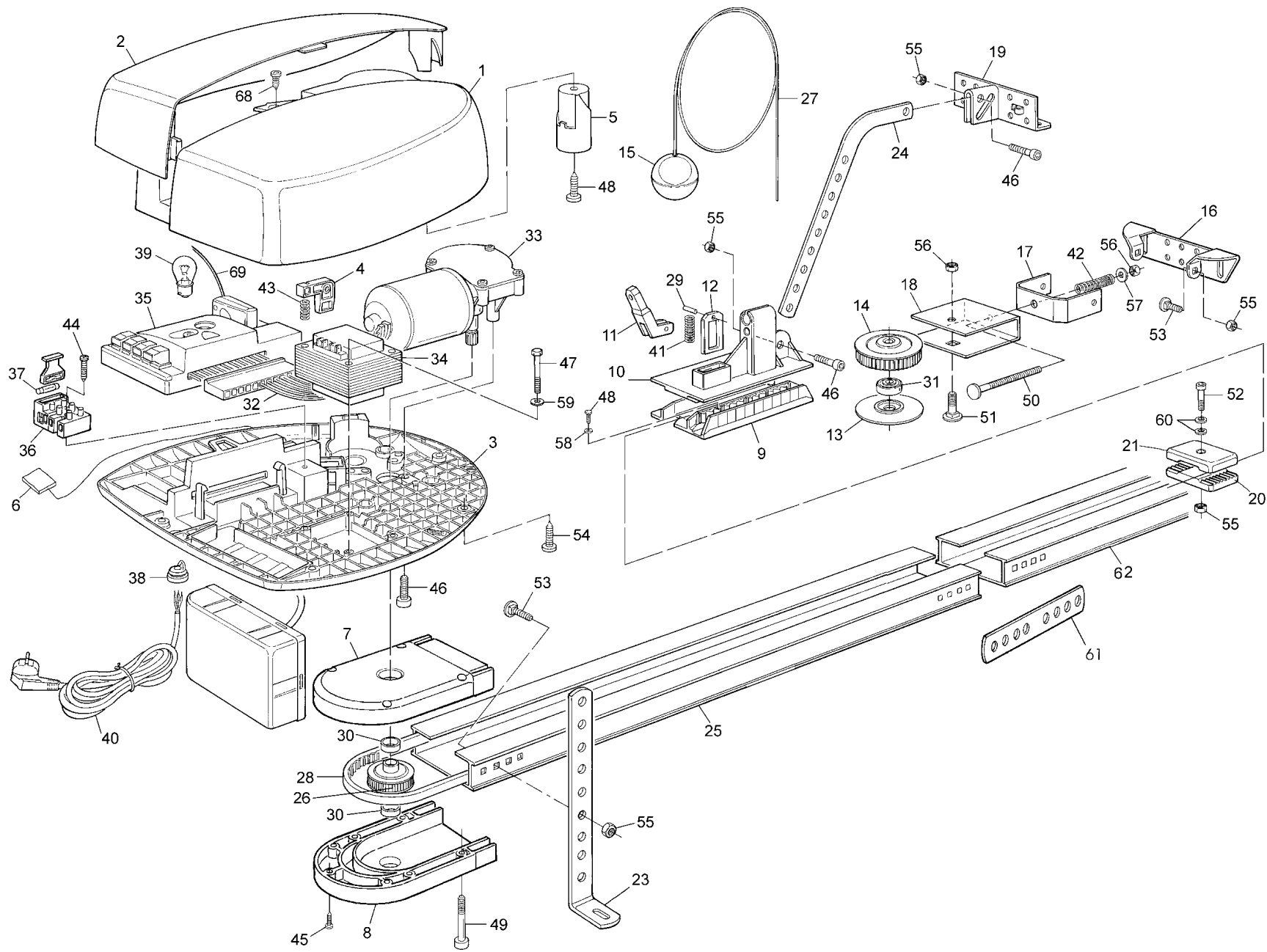


SPIN22



Code SPIN22KCE

Description Kit spin2+1flo2r+1smxi+guida4m

| Position | Code | Spare part description |
|----------|-----------------|---|
| 1 | PPD1029.45401 | Lid |
| 2 | PPD1030.4540 | Glass lid |
| 3 | PPD1031R03.4540 | Fondo motore spok |
| 4 | PPD1032.4540 | Dowel |
| 5 | PPD1033.4540 | Cap |
| 6 | PPD1036.4540 | Knob |
| 7 | PPD0530R04.4540 | Testata superiore "sezionale m |
| 8 | PPD0531R03.4540 | Lower stock |
| 9 | PPD0547R01.4540 | Lower truck |
| 10 | PPD0548.4540 | Upper truck |
| 11 | PPD0549.4540 | Lever |
| 12 | PPD0550.4540 | Lever |
| 13 | PPD0552R01.4540 | Coperchio x ingr.rinvio "sez.mhouse" dis.0552 |
| 14 | PPD0553R01.4540 | Ingranaggio rinvio "sez.mhouse" dis.0553 |
| 15 | PPD1087.4540 | Collar |
| 16 | PMD0540.4610 | Flask |
| 17 | PMD0541.4610 | Flask |
| 18 | PMD0542R01.4610 | Flask |
| 19 | PMD0554.4610 | Flask |
| 20 | PMD0527R02.4610 | Upper mechanical stop |
| 21 | PMD0528.4610 | Lower catch |
| 23 | PMD0152B.4610 | Flask |
| 24 | PMD0526.4610 | Pull Rod |
| 25 | PMD121003.4610 | Section |
| 26 | PMCU103E.4630 | Bearing |
| 26 | PMD1434.8003 | Ingr. sinteriz. sovrastampato |
| 27 | PMCCN1.4630 | polypropylene rope |
| 28 | PMCCD1.4630 | Belt |
| 29 | PMCS32.4630 | Pin |
| 30 | PMCU103E.4630 | Bearing |
| 31 | PMCU12E.4630 | Bearing |
| 32 | CA37.5320 | Wiring |
| 33 | SPA04 | Motor |
| 34 | TRA121.1025 | Transformer |
| 35 | SNA2 | Control Unit |
| 36 | PFM-A.2213 | Fuse holder |
| 37 | F1AR.2201 | Fuse |
| 38 | MPSC.2601 | Cable clamp |
| 39 | L8.6811 | Lamp |
| 40 | CA5.5320 | Cable |
| 41 | MO-G.2640 | Spring |
| 42 | MO-X.2640 | Spring |
| 43 | MO-1132.2640 | Spring |
| 44 | V2.9X13.5101 | Screw |
| 45 | V4.8X25.5101 | Screw |
| 46 | V6X18.5102 | Screw |
| 47 | V4.2X50.5101 | Screw |
| 48 | V4.2X9.5.5101 | Screw |
| 49 | V6.3X38.5101 | Screw |
| 50 | V8X70B.5102 | Screw |
| 51 | V8X35B.5102 | Screw |
| 52 | V6X45.5102 | Screw |
| 53 | V6X14A.5102 | Screw |
| 54 | V4.8X19.5101 | Screw |
| 55 | D6A.5110 | Nut |
| 56 | D8.5110 | Nut |
| 57 | R8.5120 | Washer |
| 58 | R05.5120 | Washer |
| 59 | R04E.5120 | Washer |
| 60 | R06.5120 | Washer |
| 61 | PMD0544.4610 | Plate |
| 62 | PMD121001.4610 | Section |
| 68 | V4.2X9.5101 | Screw |
| 69 | AF.5301 | Wiring |
| 70 | R06B.5120 | Washer |